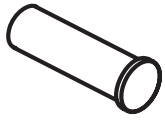


Display Series 900





Product data sheet
System 162 Robe hook 162.90.010XA

HEWI

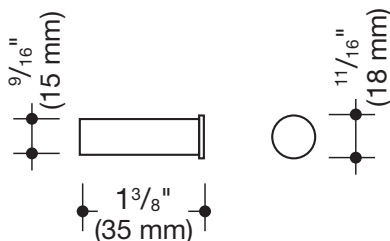
System 162 Robe hook 162.90.010XA

- cylindrical robe hook
- made of stainless steel, matt sanded
- 1 3/8 inch (35 mm) long, diameter 9/16 inch (15 mm)
- for wall mounting, concealed fixing
- includes non-corroding HEWI fixing material



[Click for more information](#)

Dimensions



Surface

XA

Alternative surfaces

Chr

DX

DC

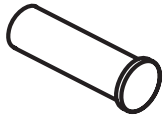
AY

SC

Technical information subject to alteration, March 19th, 2020

HEWI Inc.
350 Fifth Avenue, Suite 5220 Phone: 866 853-8003
New York, NY 10118

hewi@hewi.us
www.hewi.com



Product data sheet
System 162 Robe hook 162.90.01040

HEWI

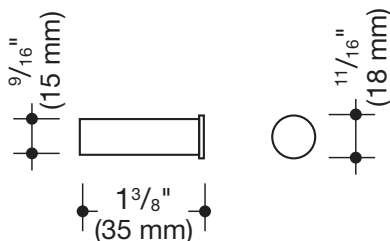
System 162 Robe hook 162.90.01040

- cylindrical robe hook
- made of metal, high-quality chrome-plated
- 1 3/8 inch (35 mm) long, diameter 9/16 inch (15 mm)
- for wall mounting, concealed fixing
- incl. non-corrosive HEWI fixing material



[Click for more information](#)

Dimensions



Surface

Chr

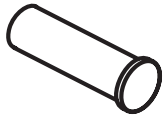
Alternative surfaces



Technical information subject to alteration, March 19th, 2020

HEWI Inc.
350 Fifth Avenue, Suite 5220 Phone: 866 853-8003
New York, NY 10118

hewi@hewi.us
www.hewi.com



Product data sheet
System 162 Hook 162.90.01060

HEWI

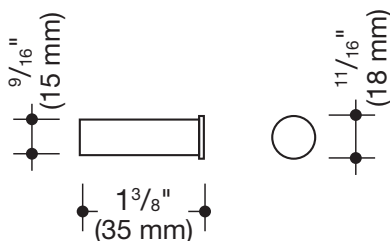
System 162 Hook 162.90.01060

- cylindrical hook
- made of metal, powder-coated in the HEWI colours DX (matt white), DC (matt black), AY (matt light gray pearl mica) and SC (matt dark gray pearl mica)
- 1 3/8 inch (35 mm) long, diameter 9/16 inch (15 mm)
- for wall mounting, concealed fixing
- incl. non-corrosive HEWI fixing materials



[Click for more information](#)

Dimensions



Surfaces/Colors



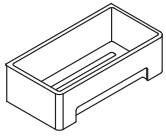
Alternative surfaces



Technical information subject to alteration, April 3rd, 2021

HEWI Inc.
350 Fifth Avenue, Suite 5220 Phone: 866 853-8003
New York, NY 10118

hewi@hewi.us
www.hewi.com



Product data sheet
System 900 Shower basket 900.03.00140

HEWI



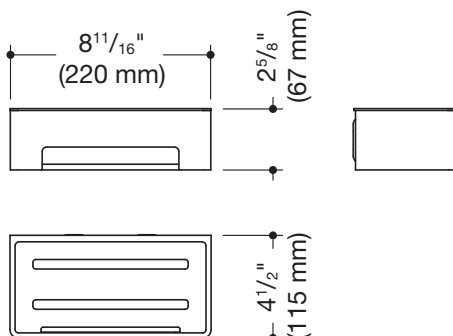
System 900 Shower basket 900.03.00140

- for wall-mounting
- holder made of high-quality stainless steel chrome-plated
- Insert made of high-quality synthetic material in HEWI colors 92 (anthracite gray) and 98 (signal-white)
- 8 11/16 inch (220 mm) wide, 2 5/8 inch (67 mm) high, 4 1/2 inch (115 mm) deep
- includes non-corroding HEWI fixing material



[Click for more information](#)

Dimensions



Surface/Colors



Alternative surfaces/colors

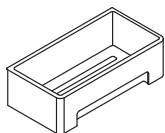


Powder coatings

Technical information subject to alteration, April 3rd, 2021

HEWI Inc.
350 Fifth Avenue, Suite 5220 Phone: 866 853-8003
New York, NY 10118

hewi@hewi.us
www.hewi.com



Product data sheet
System 900 Shower basket 900.03.00160

HEWI



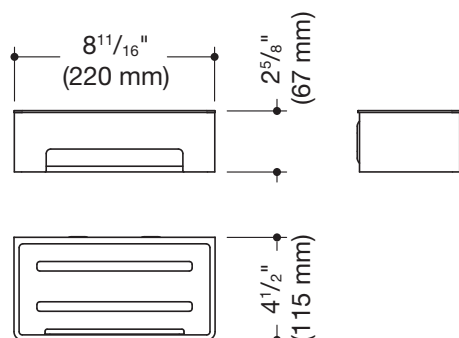
System 900 Shower basket 900.03.00160

- for wall-mounting
- holder made of high-quality stainless steel powder-coated in the HEWI colour CV (matt black) and ER (matt dark gray pearl mica) with insert made of high-quality synthetic material in HEWI colour 90 (jet black) or powder-coated in the HEWI colours AS (matt white) and AX (matt light gray pearl mica) with insert made of high-quality synthetic material in HEWI colour 98 (signal-white)
- 8 11/16 inch (220 mm) wide, 2 5/8 inch (67 mm) high, 4 1/2 inch (115 mm) deep
- includes non-corroding HEWI fixing material

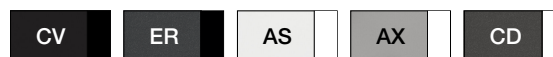
[Click for more information](#)



Dimensions



Surfaces/Colors



The colour CD will be discontinued 31.03.2022

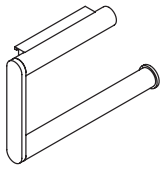
Alternative surfaces/colors



Technical information subject to alteration, March 29th, 2021

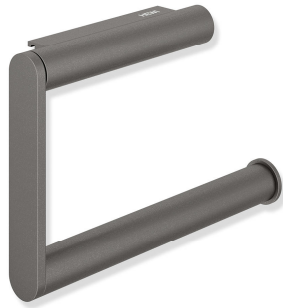
HEWI Inc.
350 Fifth Avenue, Suite 5220 Phone: 866 853-8003
New York, NY 10118

hewi@hewi.us
www.hewi.com



Product data sheet
System 900 Toilet roll holder 900.21.00060

HEWI



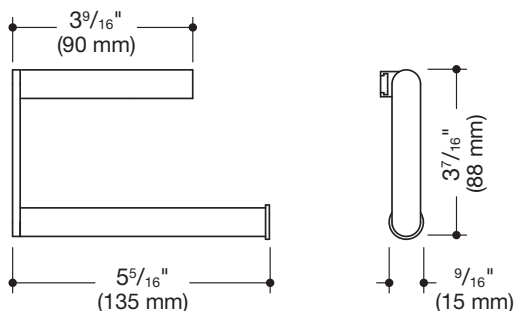
System 900 Toilet roll holder 900.21.00060

- U-shaped holder, open on the right-hand side
- hinged
- made of high-quality stainless steel, powder-coated in the HEWI colours DX (matt white), DC (matt black), AY (matt light gray pearl mica) and SC (matt dark gray pearl mica)
- 5 5/16 inch (135 mm) wide, 3 7/16 inch (88 mm) high, diameter 9/16 inch (15 mm)
- for wall mounting, concealed fixing
- including non-corrosive HEWI fixing material



[Click for more information](#)

Dimensions



Surfaces/Colors



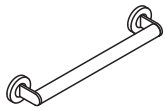
Alternative surfaces



Technical information subject to alteration, April 3rd, 2021

HEWI Inc.
350 Fifth Avenue, Suite 5220 Phone: 866 853-8003
New York, NY 10118

hewi@hewi.us
www.hewi.com



Product data sheet
Grab bar, System 900 900.36.06160

HEWI



Grab bar, System 900 900.36.06160

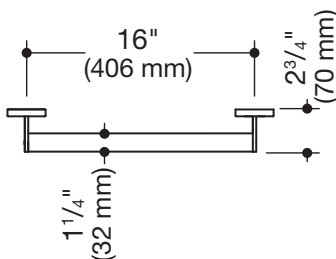
- straight rail with supports straight to the wall and roses
- fixing spacing 16 inch (406 mm), 2 3/4 inch (70 mm) deep
- rail diameter 1 1/4 inch (32 mm), tube thickness 1/16 inch (2 mm), rose diameter 2 3/4 inch (70 mm)
- load capacity up to 330 lbs (150 kg)
- made of high-quality stainless steel, powder-coated in the HEWI colours DX (matt white), DC (matt black), AY (matt light gray pearl mica) and SC (matt dark gray pearl mica)
- including non-corrosive and tested HEWI fixing material for wall mounting and sealing tape for sealing the drilling points
- fulfils the requirements of the 2010 ADA Standards and ICC/ANSI A117.1-2017

Similar picture

[Click for more information](#)



Dimensions



Surfaces/Colors



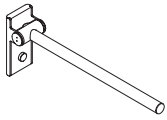
Alternative surfaces



Technical information subject to alteration, August 18th, 2021

HEWI Inc.
350 Fifth Avenue, Suite 5220 Phone: (917) 734-4112
New York, NY 10118

hewi@hewi.us
www.hewi.com



Product data sheet

Mono hinged support rail, design (A), System 900
900.50.10060

HEWI



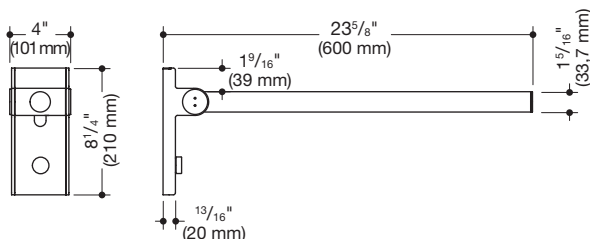
[Click for more information](#)

**Mono hinged support rail, design (A), System 900
900.50.10060**

- with one horizontal, round gripping level
- can be folded upwards and folded downwards with braked movement
- projection 23 5/8 inch (600 mm), 8 1/4 inch (210 mm) high and 4 inch (101 mm) wide, bar diameter 1 5/16 inch (33.7 mm)
- load capacity up to 220 lbs (100 kg)
- made of stainless steel, powder-coated in the HEWI colours DX (matt white), DC (matt black), AY (matt light gray pearl mica) and SC (matt dark gray pearl mica)
- for mounting with non-corrosive and tested HEWI fixing materials for different wall systems (to be ordered separately)
- sealing tape for sealing the fixing points is included in the scope of supply
- CE marking according to Directive 93/42/EEC
- fulfils the DIN 18040 requirements



Dimensions



Surfaces/Colors



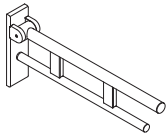
Alternative surfaces



Technical information subject to alteration, April 3rd, 2021

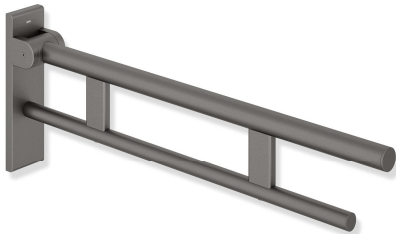
HEWI Inc.
350 Fifth Avenue, Suite 5220 Phone: 866 853-8003
New York, NY 10118

hewi@hewi.us
www.hewi.com



Product data sheet
Hinged support rail Duo 900.50.15860

HEWI



Similar picture

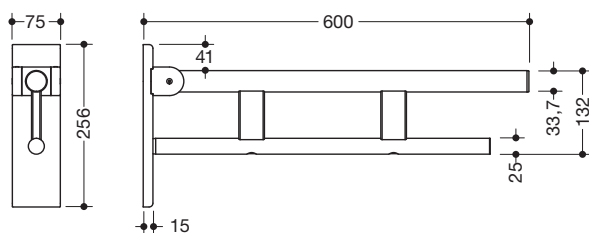
[Click for more information](#)

Hinged support rail Duo 900.50.15860

- two parallel, round gripping levels arranged on top of each other
- can be folded upwards and folded downwards with braked movement
- projection 600 mm, 256 mm high and 75 mm wide, top rail diameter 33.7 mm, bottom rail diameter 25 mm
- weight capacity up to 100 kg
- made of stainless steel, powder-coated in the HEWI colours DX (matt white), DC (matt black), AY (matt light grey pearl mica) and SC (matt dark grey pearl mica)
- wall plate made of polyamide with integrated steel core and cover made of stainless steel, powder-coated in the HEWI colours DX (matt white), DC (matt black), AY (matt light grey pearl mica) and SC (matt dark grey pearl mica)
- for mounting with non-corrosive and tested HEWI fixing materials for different wall systems (to be ordered separately)
- sealing tape for sealing the fixing points is included in the scope of supply
- floor supports 900.50.02060 and 900.50.02160 for retrofitting
- CE marking according to Directive 93/42/EEC
- fulfils the DIN 18040 requirements



Dimensions in mm



Surfaces/Colours



Alternative surfaces



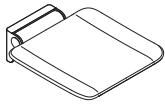
Technical information subject to alteration, 31st March 2021

HEWI Heinrich Wilke GmbH
 Postfach 1260
 D-34442 Bad Arolsen

Telefon: +49 5691 82-366
 Telefax: +49 5691 82-99366
 international@hewi.com
 www.hewi.com

HEWI (UK) Limited
 Holm Oak Barn, Beluncle Halt
 Stoke Road
 Hoo Kent ME3 9NT

Phone +44 1634 258 200
 Fax +44 1634 250 099
 info@hewi.co.uk
 www.hewi.com



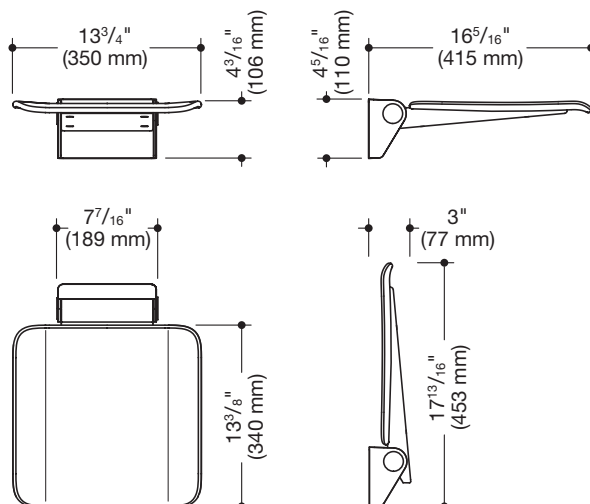
[Click for more information](#)

Fold-away seat, System 900 900.51.20060

- construction consisting of wall bracket and continuous seat
- slip-resistant, textured seat made of synthetic material in HEWI colors 98 (signal white), 92 (anthracite gray) and 90 (jet black)
- reinforcement of the seat made of aluminum, powder coated in the colour of the seat
- wall bracket made of stainless steel, powder-coated in the HEWI colour CV (matt black) and ER (matt dark gray pearl mica) with a black seat or powder-coated in the HEWI colours AS (matt white) and AX (matt light gray pearl mica) with a white seat
- seat can be folded up to save space
- seat depth when folded up 3 inch (77 mm)
- load capacity up to 330 lbs (150 kg)
- 13 3/4 inch (350 mm) wide, 16 5/16 inch (415 mm) deep and 4 5/16 inch (110 mm) high
- seat area 13 3/4 inch (350 mm) wide and 13 3/8 inch (340 mm) deep
- for mounting with non-corrosive and tested HEWI fixing materials for different wall systems (to be ordered separately)
- sealing tape and sealing discs for sealing the fixing points according to DIN 18534 are included in the scope of delivery



Dimensions



Surfaces/Colors



The colour CD will be discontinued 31.03.2022

Alternative surfaces/colors



Technical information subject to alteration, August 10th, 2021

HEWI Inc.
 350 Fifth Avenue, Suite 5220
 New York, NY 10118

Phone: 866 853-8003

hewi@hewi.us
 www.hewi.com