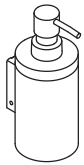


## Display Series 900





## Product data sheet

### System 900 Soap dispenser with holder 900.06.000XA

# HEWI



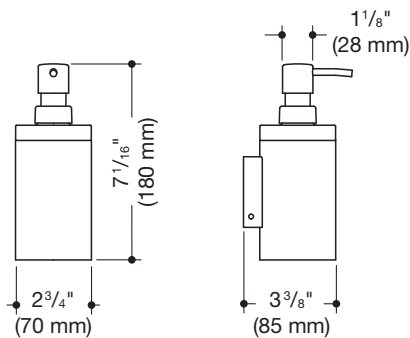
### System 900 Soap dispenser with holder 900.06.000XA

- suitable for use at the washbasin area
- cylindrical wall holder
- holder made of high-quality stainless steel, satin surface finish
- holder with protective film on the inside for a secure, defined position and to protect the glass insert from damage
- diameter 2 3/4 inch (70 mm), 7 1/16 inch (180 mm) high and 3 3/8 inch (85 mm) deep
- soap dispenser made of high-quality, satin-finish crystal glass
- pump head in stainless steel finish
- filling capacity 6.8 fl oz (200 ml)
- for wall mounting, concealed fixing
- includes non-corroding HEWI fixing material

[Click for more information](#)



## Dimensions



### Surface

XA

### Alternative surfaces

Chr

DX

DC

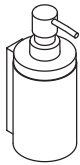
AY

SC

Technical information subject to alteration, August 27th, 2020

HEWI Inc.  
350 Fifth Avenue, Suite 5220 Phone: 866 853-8003  
New York, NY 10118

hewi@hewi.us  
www.hewi.com



## Product data sheet

### System 900 Soap dispenser with holder 900.06.00140

# HEWI



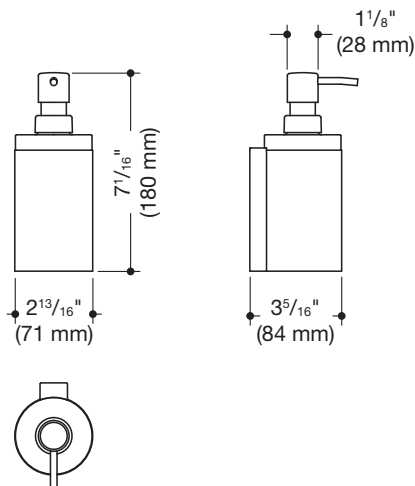
[Click for more information](#)

#### System 900 Soap dispenser with holder 900.06.00140

- suitable for use at the washbasin area
- cylindrical wall holder
- holder made of metal, high-quality chrome-plated
- holder with protective film on the inside for a secure, defined position and to protect the insert from damage
- 7 1/16 inch (180 mm) high, 3 5/16 inch (84 mm) deep, diameter 2 13/16 inch (71 mm)
- soap dispenser made of high-quality polyamide in HEWI colors 92 (anthracite gray) and 98 (signal white)
- high-quality chrome-plated pump head
- filling capacity 6.8 fl oz (200 ml)
- for wall mounting, concealed fixing
- includes non-corroding HEWI fixing material



#### Dimensions



#### Surface/Colors



#### Alternative surfaces/colors

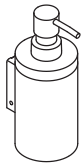


Powder coatings

Technical information subject to alteration, April 3rd, 2021

HEWI Inc.  
350 Fifth Avenue, Suite 5220 Phone: 866 853-8003  
New York, NY 10118

hewi@hewi.us  
www.hewi.com



## Product data sheet

### System 900 Soap or disinfectant dispenser with holder 900.06.00160

# HEWI



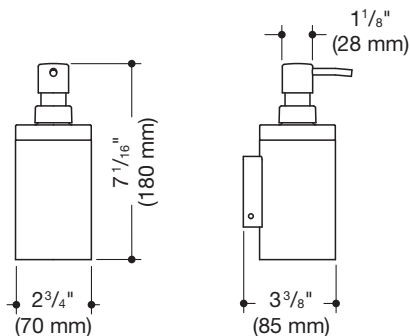
### System 900 Soap or disinfectant dispenser with holder 900.06.00160

- suitable for use at the washbasin area
- cylindrical wall holder
- holder made of metal, powder-coated in the HEWI colour CV (matt black) and ER (matt dark gray pearl mica) with soap dispenser in matt black polyamide or powder-coated in the HEWI colours AS (matt white) and AX (matt light gray pearl mica) with soap dispenser in matt white polyamide
- holder with protective film on the inside for a secure, defined position and to protect the insert from damage
- diameter 2 3/4 inch (70 mm), 7 1/16 inch (180 mm) high and 3 3/8 inch (85 mm) deep
- high-quality chrome-plated pump head
- filling capacity 6.8 fl oz (200 ml)
- for wall mounting, concealed fixing
- including non-corrosive HEWI fixing material

[Click for more information](#)



## Dimensions



### Surfaces/Colors



The colour CD will be discontinued 31.03.2022

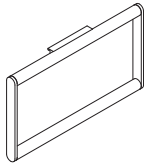
### Alternative surfaces/colors



Technical information subject to alteration, June 30th, 2021

HEWI Inc.  
350 Fifth Avenue, Suite 5220 Phone: 866 853-8003  
New York, NY 10118

hewi@hewi.us  
www.hewi.com



**Product data sheet**  
**Towel ring System 900 900.09.00240**

# HEWI

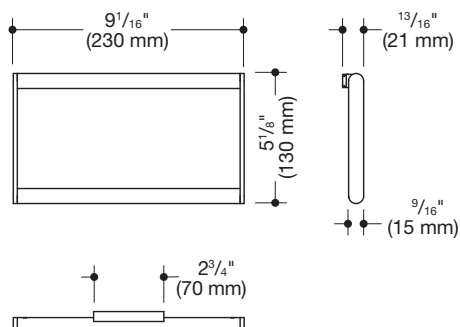


**Towel ring System 900 900.09.00240**

- closed towel ring, rectangular
- serves to hang up towels and other items of clothing
- the ring can be swivelled
- made of high-quality stainless steel, chrome-plated
- 9 1/16 inch (230 mm) wide, 5 1/8 inch (130 mm) high, ø 9/16 inch (15 mm)
- for wall mounting, concealed fixing
- including corrosion-free HEWI fixing material

[Click for more information](#)

## Dimensions



## Surface

Chr

## Alternative surfaces

XA

DX

DC

AY

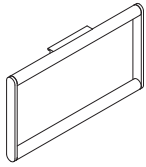
SC

Technical information subject to alteration, September 1st, 2020

HEWI Inc.  
350 Fifth Avenue, Suite 5220  
New York, NY 10118

Phone: 866 853-8003

hewi@hewi.us  
www.hewi.com

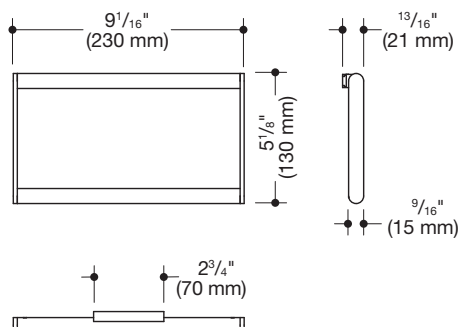


### Towel ring System 900 900.09.00260

- closed towel ring, rectangular
- for hanging up towels and other items of clothing
- the ring can be swivelled
- made of high-quality stainless steel, powder-coated in the HEWI colours DX (white deep matt), DC (black deep matt), AY (light grey pearl mica deep matt) and SC (dark grey pearl mica deep matt)
- 9 1/16 inch (230 mm) wide, 5 1/8 inch (130 mm) high, ø 9/16 inch (15 mm)
- for wall mounting, concealed fixing
- including corrosion-free HEWI fixing material

[Click for more information](#)

### Dimensions



### Surfaces/Colors



### Alternative surfaces



Technical information subject to alteration, April 3rd, 2021



[Click for more information](#)

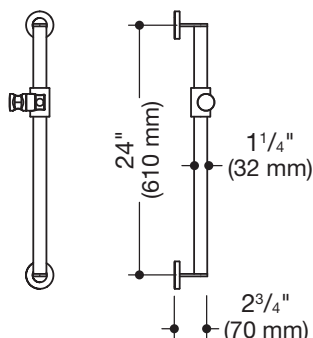
### Shower head rail, System 900 900.33.06060

- vertical rail with supports perpendicular to the wall, mounting and shower head holder
- fixing spacing 24 inch (610 mm), 2 3/4 inch (70 mm) deep
- rail diameter 1 1/4 inch (32 mm), tube thickness 1/16 inch (2 mm), rose diameter 2 3/4 inch (70 mm)
- load capacity up to 330 lbs (150 kg)
- made of high-quality stainless steel, powder-coated in the HEWI colour CV (matt black) and ER (matt dark gray pearl mica) with a showerhead holder in matt black polyamide or powder-coated in the HEWI colours AS (matt white) and AX (matt light gray pearl mica) with a showerhead holder in matt white polyamide
- suitable for shower heads of various manufacturers
- shower head holder can be tilted continuously and, after pressing a pushbutton, its height can be adjusted
- conical adapter on shower head holder makes it easier to hook in the shower head
- including non-corrosive and tested HEWI fixing material for wall mounting and sealing tape for sealing the drilling points
- fulfils the requirements of the 2010 ADA Standards and ICC/ANSI A117.1-2017.



ADA compliant

### Dimensions



### Surfaces/Colors



The colour CD will be discontinued 31.03.2022

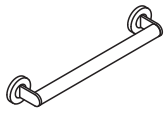
### Alternative surfaces/colors



Technical information subject to alteration, August 12th, 2021

HEWI Inc.  
 350 Fifth Avenue, Suite 5220 Phone: 866 853-8003  
 New York, NY 10118

hewi@hewi.us  
 www.hewi.com



**Product data sheet**  
**Grab bar, System 900 900.36.061XA**

# HEWI



**Grab bar, System 900 900.36.061XA**

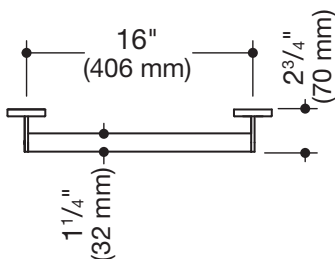
- straight rail with supports straight to the wall and roses
- c to c 16 inch (406 mm), 2 3/4 inch (70 mm) deep
- rail diameter 1 1/4 inch (32 mm), tube thickness 1/16 inch (2 mm), rose diameter 2 3/4 inch (70 mm)
- load capacity up to 330 lbs (150 kg)
- made of stainless steel, matt sanded
- including non-corrosive and tested HEWI fixing material for wall mounting and sealing tape for sealing the drilling points
- meets the requirements of 2010 ADA standards and ICC/ANSI A117.1-2017



Similar picture

[Click for more information](#)

**Dimensions**



**Surface**



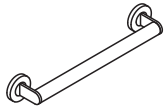
**Alternative surfaces**



Technical information subject to alteration, August 12th, 2021

HEWI Inc.  
350 Fifth Avenue, Suite 5220 Phone: 866 853-8003  
New York, NY 10118

hewi@hewi.us  
www.hewi.com



**Product data sheet**  
**Grab bar, System 900 900.36.06140**

# HEWI

**Grab bar, System 900 900.36.06140**

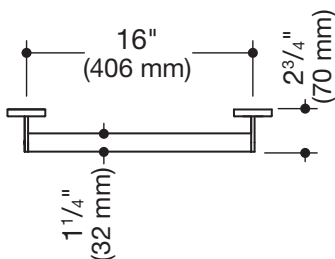
- straight rail with supports straight to the wall and roses
- c to c 16 inch (406 mm), 2 3/4 inch (70 mm) deep
- rail diameter 1 1/4 inch (32 mm), tube thickness 1/16 inch (2 mm), rose diameter 2 3/4 inch (70 mm)
- load capacity up to 330 lbs (150 kg)
- made of stainless steel, chrome
- including non-corrosive and tested HEWI fixing material for wall mounting and sealing tape for sealing the drilling points
- meets the requirements of 2010 ADA standards and ICC/ANSI A117.1-2017



Similar picture

[Click for more information](#)

**Dimensions**



**Surface**



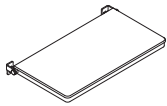
**Alternative surfaces**



Technical information subject to alteration, August 12th, 2021

HEWI Inc.  
350 Fifth Avenue, Suite 5220 Phone: 866 853-8003  
New York, NY 10118

hewi@hewi.us  
www.hewi.com



## Product data sheet

### Rectangular shower compartment seat with lift-up feature (USA) 900.51.211XA

# HEWI



[Click for more information](#)

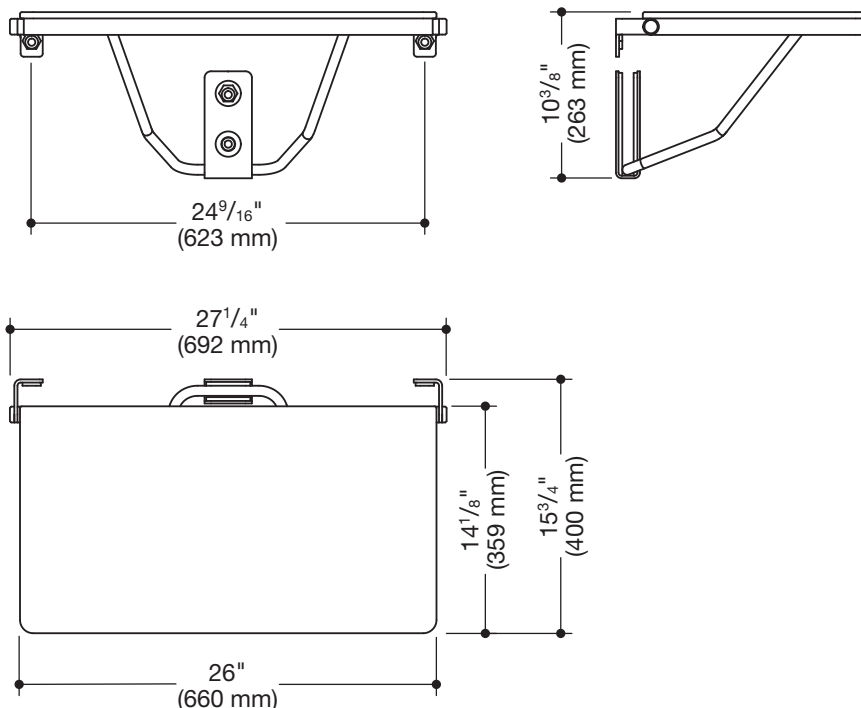
#### Rectangular shower compartment seat with lift-up feature (USA) 900.51.211XA

- made of high-quality stainless steel with one-piece HPL seat, screwed from the underside
- functions as a secure seat in the shower area
- can be folded up
- wall bracket made of stainless steel
- low-maintenance brakes on shower seat allow seat surface to remain in an upright position after folding up
- surfaces enable easy cleaning and hygiene
- additional wall support with high-quality stainless steel bracket with stainless steel wall bracket
- 26 inch (660 mm) wide and 15 3/4 inch (400 mm) deep
- includes fixing material for mounting to cavity walls with wood backlining of two 2 inch x 12 inch laminate or hardwood boards connected with a 1/2 inch x 12 inch plywood board
- maximum loading capacity 450 lbs (204 kg)
- meets requirements according to 2010 ADA standards and ICC / ANSI A117.1-2017
- shipping only possible on pallet



ADA compliant

#### Dimensions



Technical information subject to alteration, August 12th, 2021

HEWI Inc.  
350 Fifth Avenue, Suite 5220 Phone: 866 853-8003  
New York, NY 10118

hewi@hewi.us  
www.hewi.com