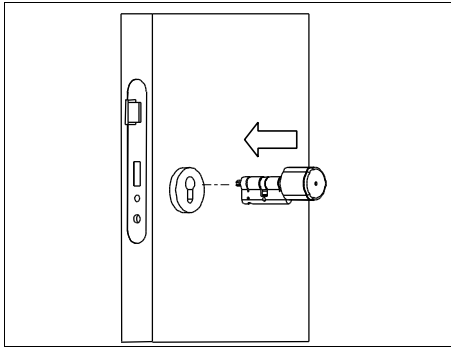
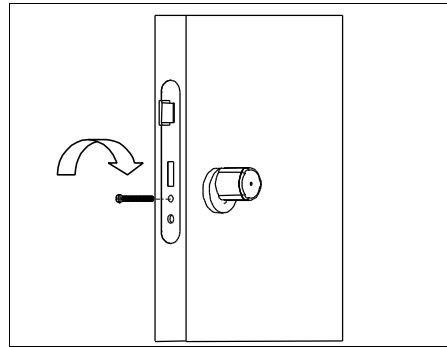


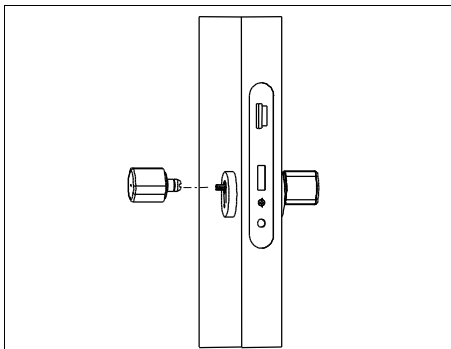
HEWI double-knob-cylinder ES5370 / ES5372



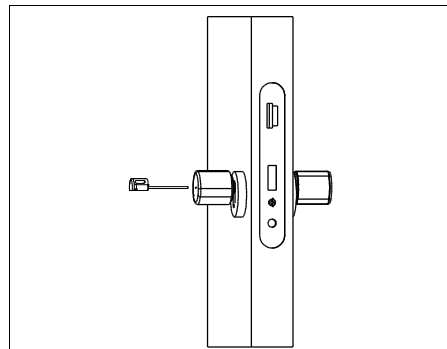
1) Put the cylinder into the PC-bore.



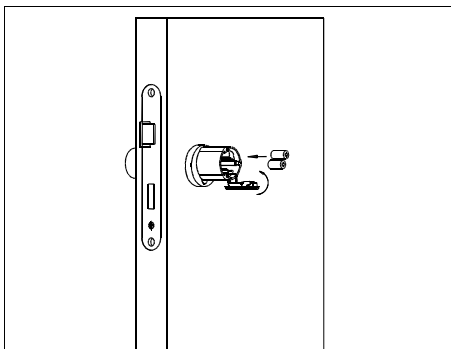
2) Fix the cylinder with the included cylinder-screw.
Don't fix the screw too strong.



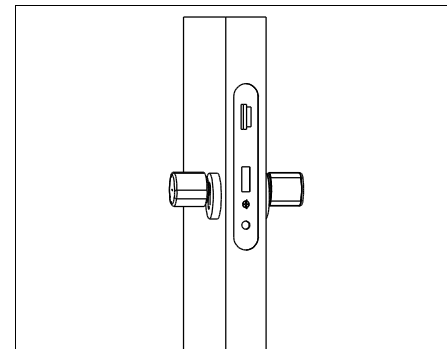
3) Put the inside knob onto the cylinder-shaft and secure it by turning and pressing the inside-knob against the outside-knob.
Attention: Don't use brute force!



4) Insert disengagement peg into bore of inside-knob and link up internal electrical connection by applying a little pressure.

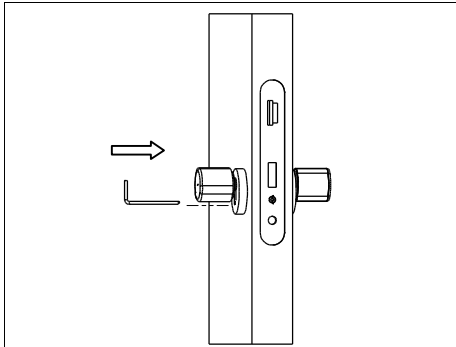


5) Fit batteries into outside-knob, ensuring correct connection (plus-pole pointing outwards).
The cylinders clock has to be reseted!

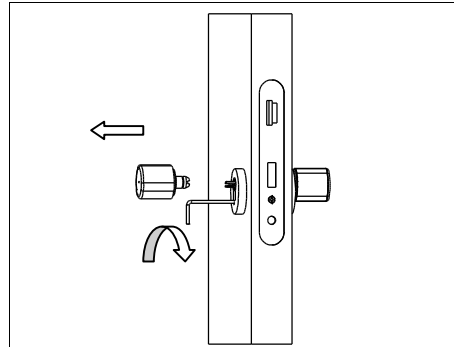


6) Check the function of the cylinder and do the programming corresponding to the HEWIKey5 manual.

Removal

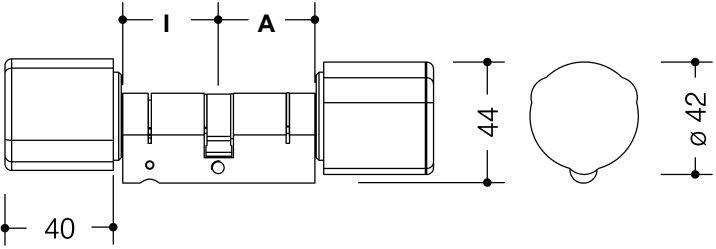


- 1) Insert the Unlocking-tool with the short arm pointing upwards into the bore of the cylinder-housing (beyond the knob).



- 2) Turn the tool 180° downwards.
Remove the inside-knob by turning and pulling.
Remove the cylinder-screw.

Technical Data

General	
Producttitle	HEWI double-knob-cylinder ES5370 HEWI double-knob-cylinder with non-wake-up-function ES5372
Dimensions	
Lenght	25/25 mm, protractable in 5 mm steps each side to a max. lenght over all of 100 mm further dimensions on request
Power-supply	
current	3 Volt Lithium battery Type CR2 (2 pcs.)
Battery lifetime	Min. 30.000 activations
Reading distance	<= 30mm
Specific data	
Operating temperature	0 to +55C°
Storage temperature	-40 to +70C°
Designated mounting	PC-Lock corresponding to DIN Inside of buildings
memory	25.000 or 60.000 identifiers (on request)
Time zones	One per identifier
Communication with programming device	inductive
signaling	Optical (green and red LED)