

DIN EN 179 – Emergency Exit Device

HEWI

DIN EN 179 Emergency Exit Device

Mandatory use:

Applies to emergency exits at which panic situations are not to be expected. People in the building are familiar with the exits and their fittings.

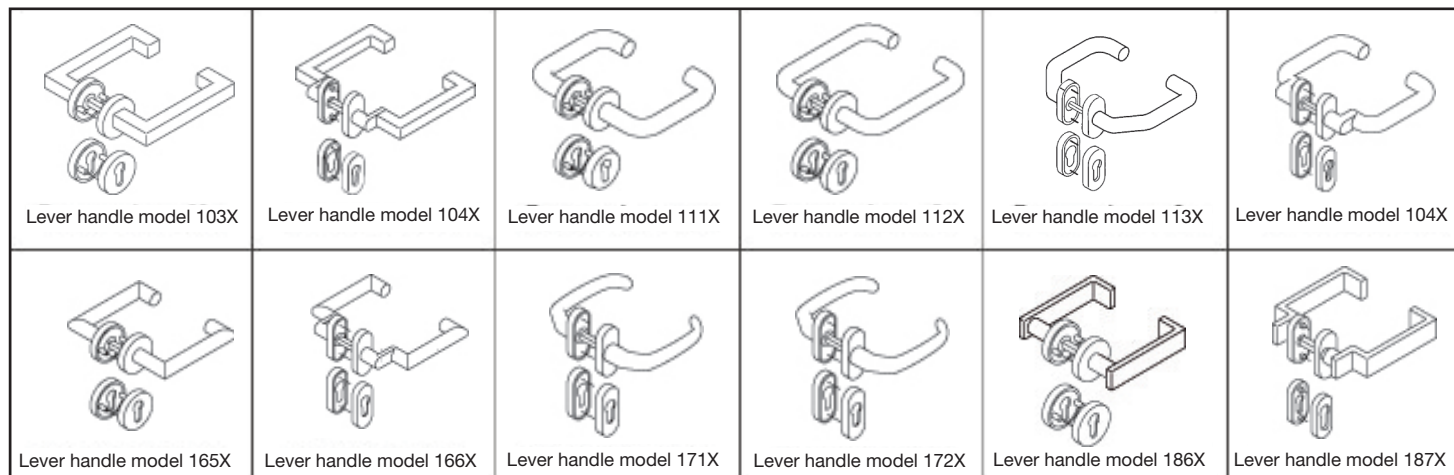
The following are allowed:

Lever handles, push/pull handles (push pads) and other hardware elements designed for use in emergency situations. Panic bars according to DIN EN 1125 are of course also approved, because greater safety is allowed.

Please note:

The fitting and lock must always be tested and certified together. But they can be put out to tender and supplied separately.




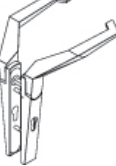


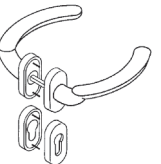
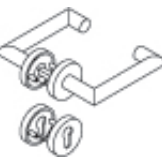
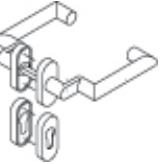
Approved HEWI fittings




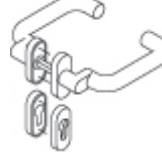
Stainless steel lever handles

DIN EN 179 –
Emergency Exit Device

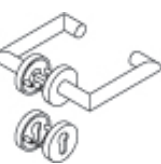
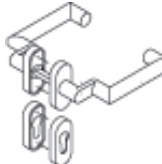
HEWI

 Lever handle model 111	 Lever handle model 111.23	 Lever handle model 114.23GK	 Lever handle model 127	 Lever handle model 128	 Lever handle model 131
 Lever handle model 132	 Lever handle model 165.21	 Lever handle model 166.21			

Polyamide lever handles

 Lever handle model 111.23PB	 Lever handle model 114.23PB
---	---

Softtouch lever handles

 Lever handle model 165A	 Lever handle model 166A
--	--

Aluminium lever handles

DIN EN 179 – Emergency Exit Device

HEWI

Implementation of DIN EN 179 – Emergency Exit Device

- A joint certified system for the lock and fittings can still be supplied separately.
- Allowable HEWI emergency exit fittings are shown above. All fire protection versions of these HEWI lever handles are certified to DIN EN 179 and are marked with a corresponding sticker on dispatch.
- HEWI emergency exit fittings according to DIN EN 179 are certified with the relevant lock manufacturers used in the project.

Ordering information

The following applies to all the illustrated types of lever handles:

HEWI fire protection standard roses and backplate fittings and spindle 9 are automatically approved for use with certified locks as an emergency exit device to DIN EN 179.

DIN EN 179 – Emergency Exit Device



Certified locks

Unless stated otherwise, in the combinations marked "approved" all locks of the respective lock manufacturer certified to DIN EN 179 may be used with the given HEWI fittings as an emergency exit device to DIN EN 179.

Lock manufacturer	EN 179 fire door fittings in R and H technology for all allowable lever handle forms.	DIN EN 179 HEWI pull handle	Certification numbers
Abloy Oy (Assa Abloy)	Approved	–	DIN EN 179: 0432–BPR–0018 DO 20.13.01 DO 20.13.02
effeff (Assa Abloy) Fritz Fuss GmbH & Co. KGaA	Approved	–	DIN EN 179: 0432–BPR–0001 DO 20.13.01 DO 20.13.02
BKS GmbH	Approved ¹	Approved ²	¹ DIN EN 179: 0432–BPR–0003 DO 20.13.01 DO 20.13.02 ² DIN EN 179: 0432–CPD–0003 DO 20.14
BMH Beyer & Müller GmbH + Co.	Approved	–	DIN EN 179: 0432–CPD–0041 DO 20.13.01
Dorma GmbH	Approved	–	DIN EN 179: 0432–BPR–0005 DO 20.13.01 DO 20.13.02
Karl Fuhr GmbH & Co. KG		Approval in preparation	
KFV Karl Fliether GmbH	Approved	Approval in preparation	DIN EN 179: 0432–BPR–0006 DO 20.13.01 DO 20.13.02

DIN EN 179 –
Emergency Exit Device

HEWI

Lock manufacturer	EN 179 fire door fittings in R and H technology for all allowable lever handle forms.	DIN EN 179 HEWI pull handle	Certification numbers
MSL – Schweiz	Approved	–	DIN EN 179: 207 41091
Nemef	Approved	–	DIN EN 179: 0432–BPR-0038 DO 20.13.01 DO 20.13.02
Wilka Schließtechnik GmbH	Approved	–	DIN EN 179: 0432–BPR-0021 DO 20.13.02
Grundmann Beschlagtechnik GmbH	Approved	–	DIN EN 179: 0432-CPD-0021.01 DO 20.10.02
WSS Wilh. Schlechtendahl & Söhne GmbH & CO.KG	Approved	–	DIN EN 179: 1309 –BPR-0010 DO 20.13.02